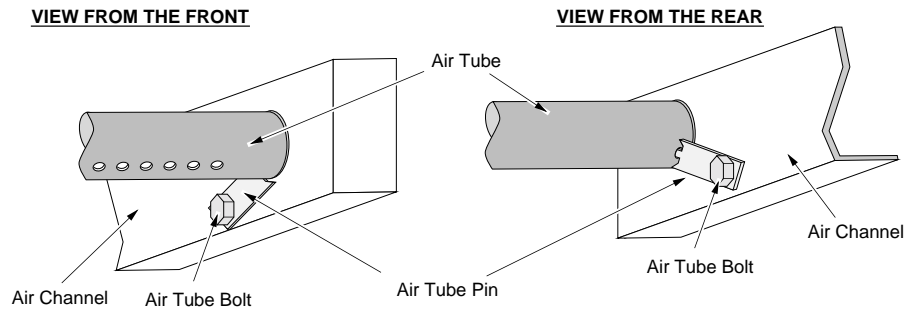


FLUSH WOOD INSERT AIR TUBE REPLACEMENT INSTRUCTIONS

NOTE: Each of the four Flush Wood Insert air tubes is different (the front tube is different from the back tube, etc.). When replacing air tubes, replace only one air tube at a time, making sure to correctly match each old tube with a new tube. When matching tubes, note the position of the air holes in relation to the hole drilled on one end of the tube for mounting the air tube.



AIR TUBE REMOVAL

